



# THE PATH TO INNOVATION + HEALTH + FILTRATION

## **SERIES 3ADV** **FAN UNIT WITH HEPA** **FILTRATION** **Double Wall 1"**

The innovative series of double-wall 3ADV air fans is ideal for hospital applications using extraction technology in isolated spaces or filtered air ventilation.

### **Range of applications**

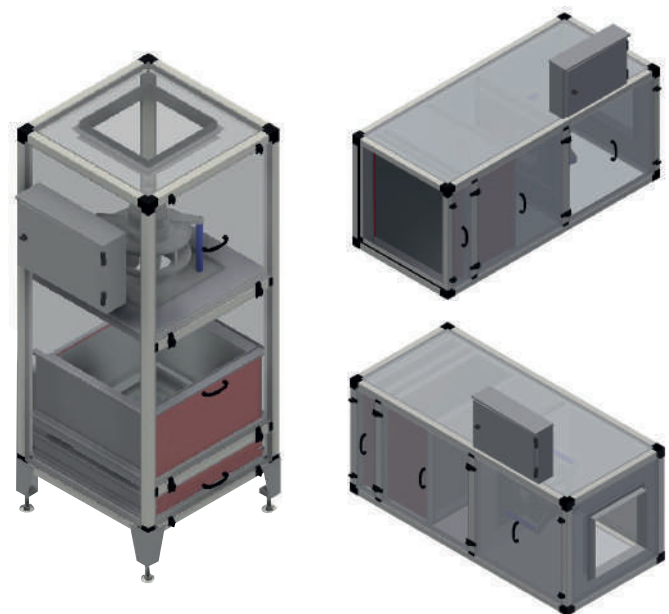
- Clinics
- Hospitals
- Pharmaceutical industry
- Laboratories

### **Main Characteristics**

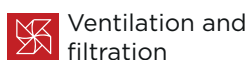
- Three different models
- UMA 03 up to 2,000 CFM
- UMA 06 up to 3,000 CFM
- UMA 09 up to 4,000 CFM
- PLENUM FAN EC fan
- Aluminum profiles with a thermal bridge
- Panels with thermal bridge
- Removable doors with panel block
- Two filtration stages, one of 2", which can be 65, 85, or 95%, and HEPA filtration in the second stage

### **Notes:**

- A 1" double wall is recommended for the health sector due to its plenum fan and HEPA filters
- The vertical model does not have a standard base but is equipped with a 5" or 10" base kit support
- Horizontal model does not have a base



Air  
Conditioning



Ventilation and  
filtration

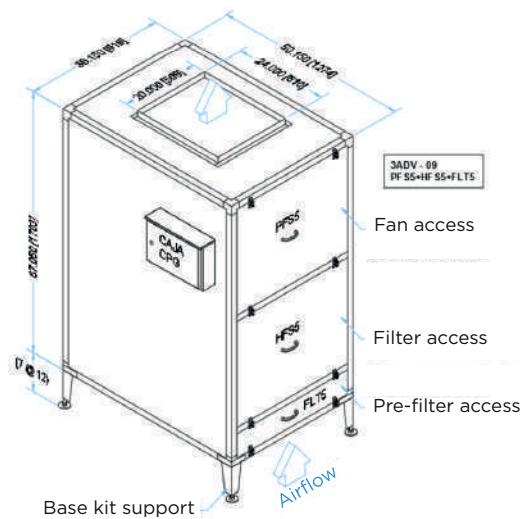
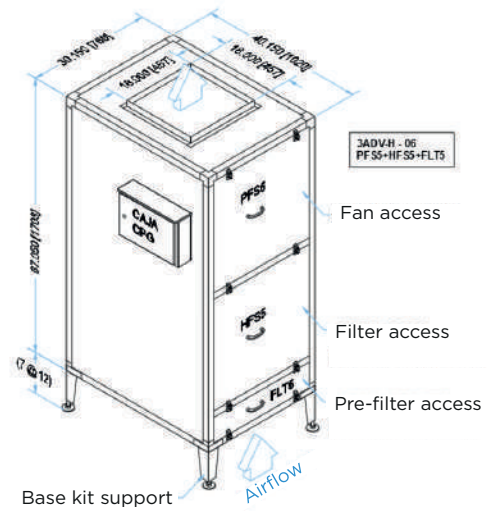
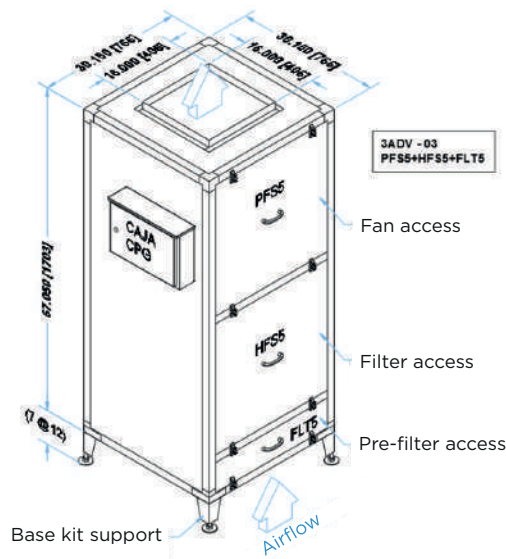


Heat



Humidity  
control

## Technical references and specifications:



[www.tecam-sa.com](http://www.tecam-sa.com)

**CALI:** CEL. 316 833 2972 / 318 366 2174 / 316 471 9755  
**BOGOTÁ:** CEL. 311 794 5345 / 318 347 6029 / 316 834 6030  
**BARRANQUILLA:** CEL. 316 834 6027 / 318 358 7002  
**MEDELLÍN:** CEL. 318 366 2444 / 318 366 2168

**GUAYAQUIL, ECUADOR:**  
 TEL. (593) 099 287 1409 / 099 304 8253 CEL. (57) 316 833 2981  
**PANAMÁ, PANAMÁ:** CEL. (57) 316 833 2981  
**LIMA, PERU:**  
 TEL: (+511) 760 5965 / (51) 923 627 254 CEL. (57) 316 833 2981



Air Conditioning



Ventilation and filtration



Heat



Humidity control

